

Schlage **Lift Controller**

Schlage Lift Controller (SCEBRZLC)
Schlage Lift Controller Expansion Board (SCEBRLCXP)

Installation Guide

Schlage Lift Controller (SCEBRZLC)

SCEBRZLC is designed to connect to the Schlage Breeze Hotel system seamlessly using Bluetooth technology.

Box Contents

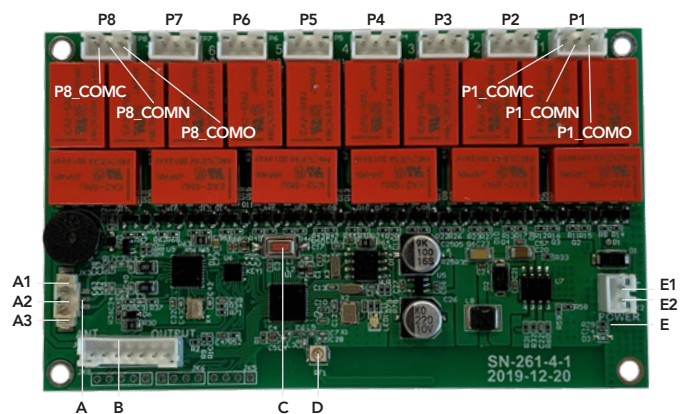
Mainboard	1
Card reader PCB	1
Card reader housing	1
Relay cables	8
Card reader connector cable	1
Power cable	1

SCEBRZLC is installed into the lift car with individual relay cables connected to each floor button. A mainboard manages access via relay control for up to 8 levels. The Schlage Lift Controller Expansion Board (SCEBRLCXP) provides an additional 8 relays. Up to three SCEBRLCXP boards can be added to one SCEBRZLC to provide control for up to 32 floors.

Specifications

Bluetooth standard	4.1BLE
Mobile phone Android	4.3 / IOS7.0
Power supply	DC Power
Voltage range	9 ~ 16V
Stand-by current	10 mA
Working current	<400 mA
Operating temperature	-20 ~ 70C
Card type	MIFARE M1 S50
Unlocking	App & IC card

Schlage Lift Controller (SCEBRZLC) Mainboard Layout



Label	Description
A	Card reader interface
B	Expansion board (SCEBRLCXP) interface
C	Reset button
D	Spare antenna interface
E	Power connector
P1 - P8	Relay connections for lift interface

Card Reader

Front View



Card area

Back View



EXA

Label	Description
EXA	Card reader interface connects to mainboard (SCEBRZLC)

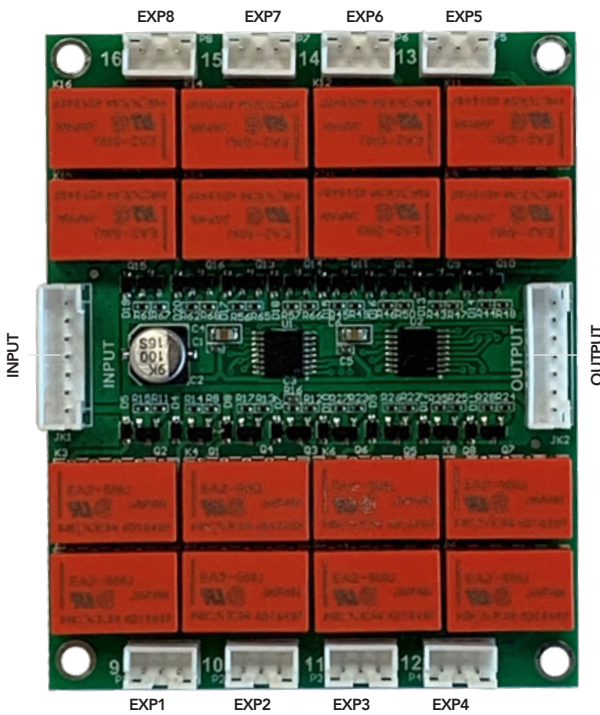
Schlage Lift Controller Expansion Board (SCEBRXCXP)

SCEBRXCXP provides an additional 8 relays. Up to three SCEBRXCXP boards can be added to one SCEBRZLC to provide control for up to 32 floors.

Box Contents

Expansion board	1
Relay cables	8
Mainboard connector cable	1

Expansion Board (SCEBRXCXP) Layout

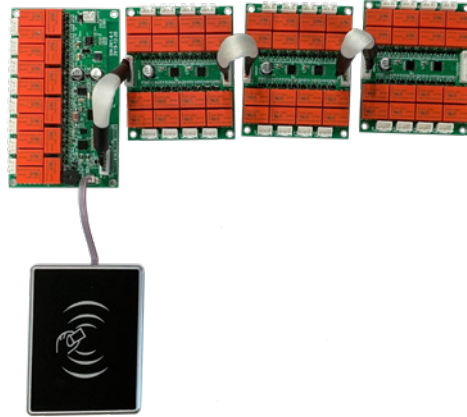


Label	Description
Input	Connection interface to the mainboard (SCEBRZLC)
Output	Connection interface for additional expansion boards (SCEBRXCXP). Up to three connected in series
EXP1 to EXP8	Relay controls for lift interface with floor buttons

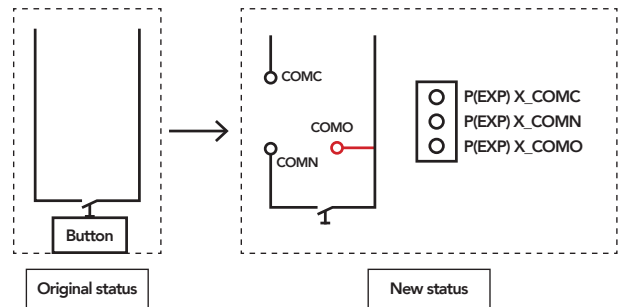
Distributed by API Access & Security
 Freephone 131 539
 Email api.service@allegion.com
www.apisecuritysolutions.com.au

Example

Install of SCEBRZLC mainboard with card reader and three SCEBRXCXP expansion boards



Wiring Diagram



Using the above wiring diagram for guidance, each lift floor button should be wired as always on. SCEBRZLC will break the circuit until a valid card is presented to the reader. SCEBRZLC may also receive an activation via the Schlage Breeze Guest mobile app.

FAQs

Q: How do I reset the Schlage Lift Controller (SCEBRZLC)?

A: Press the reset button for 5 seconds

Q: How do I add an administrator?

A: Press and release the reset button to wake the mainboard
 Add admin on the Schlage Breeze Hotel app

Q: How do I delete an administrator?

A: Delete the Lift Controller from the Schlage Breeze Hotel app, which will reset the Lift Controller back to factory settings.
 Ensure you are within Bluetooth range of the Lift Controller.

Q: How do I add/modify an access card's validity?

A: All access management is controlled via the Schlage Breeze Hotel Windows application. If the Windows application is not available or has not been set up, a Construction Card provided with the Schlage Breeze Card Encoder (SCEBRZENC) can be used for access to all floors. Please contact API Access & Security for further information.



About API Access & Security

API Access & Security is an Australian wide access and security solutions provider. For over 50 years API has been securing residential, commercial and government facilities around Australia. Whether you need keying systems, locks and hardware, life safety devices, CCTV, automatic doors, perimeter and barrier security systems, electronic locking systems or safes and vaults, API can package up a full access and security solution in one place, plus installation and maintenance options. API Access & Security is an Allegion™ company.

